

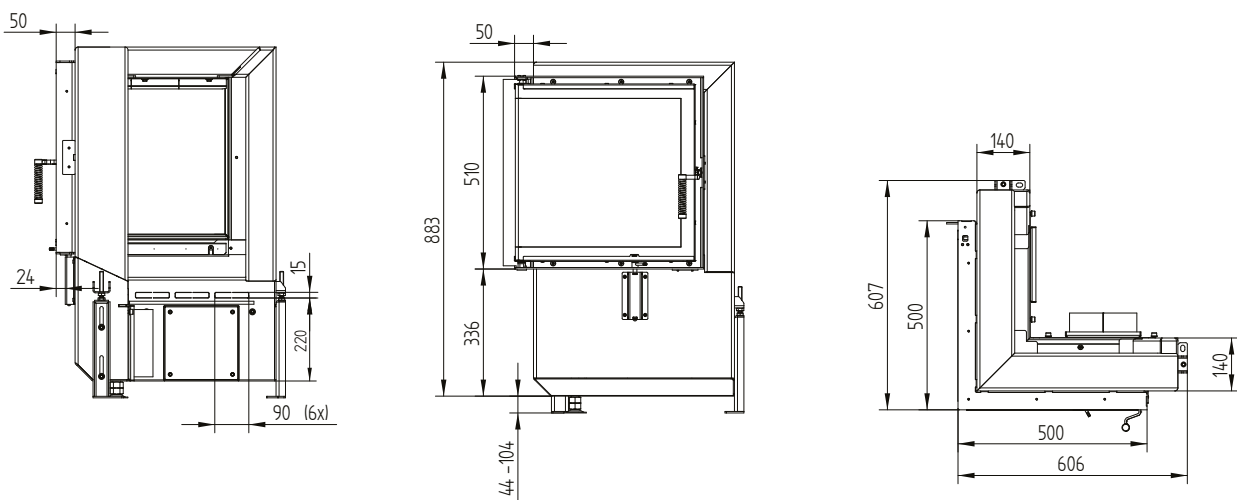
GT2 51/51/51L

Technical data
Version 09/2023

Technical data

General technical information	
Recommended wood load	10 kg
Cross section of combustion air opening	220 cm ²
Combustion air connection	1 × Ø 180 mm
Free glass area	3 556 cm ²

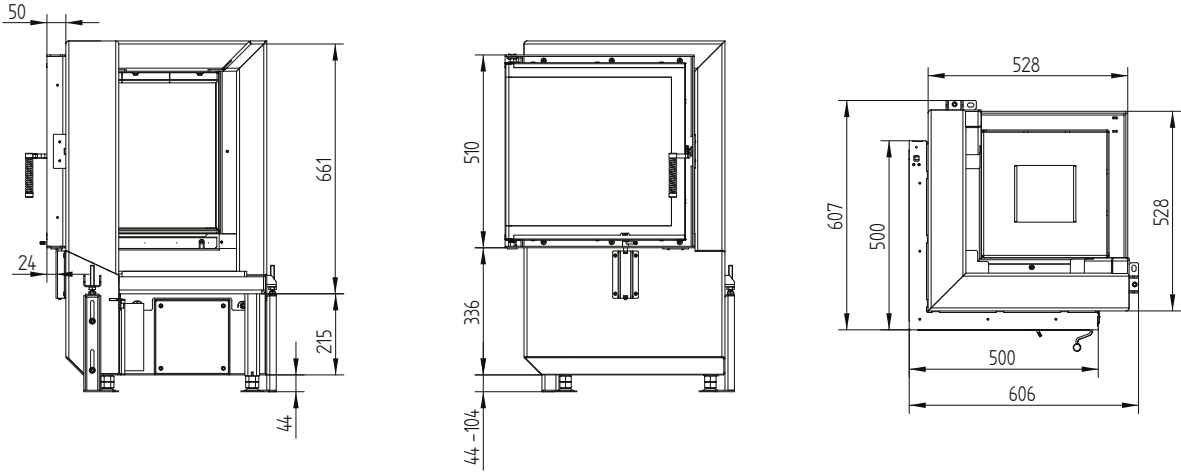
GT2 51/51/51L left



GT2 51/51/51L

Technical data
Version 09/2023

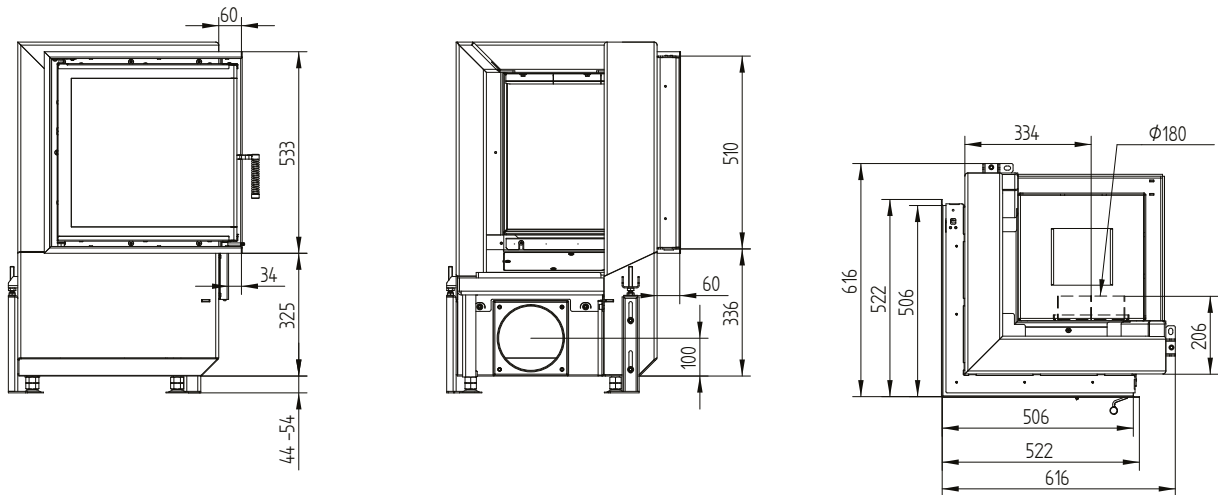
GT2 51/51/51L left base frame with air distribution



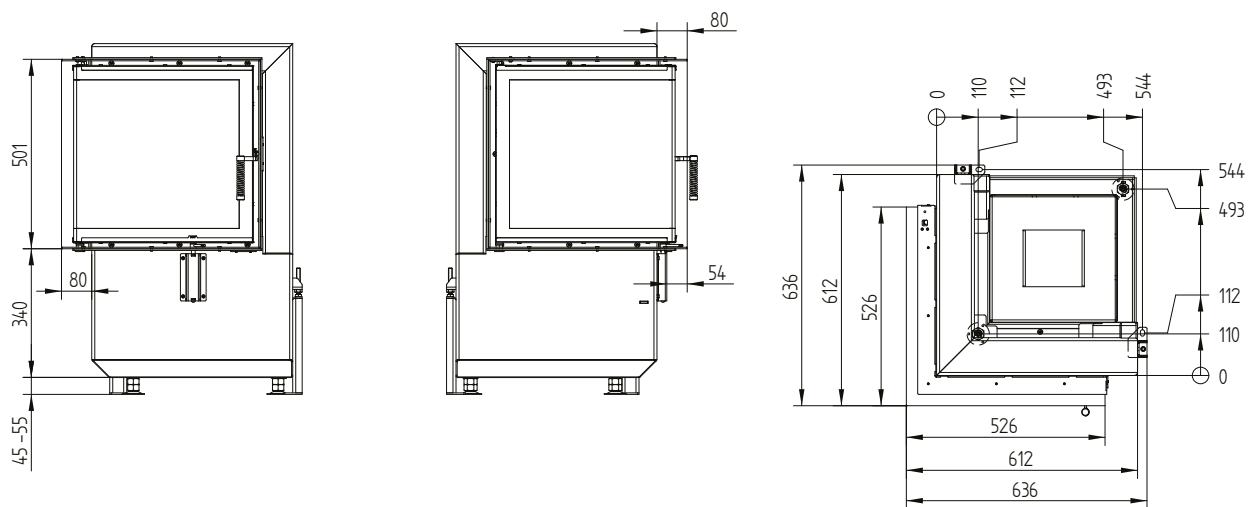
GT2 51/51/51L

Technical data
Version 09/2023

Cover frame 51/51/51L left side opening 6sides 1 x 90° 60 mm / air inlet



Build-on frame 51/51/51L left side opening 6sides 80 mm / feet



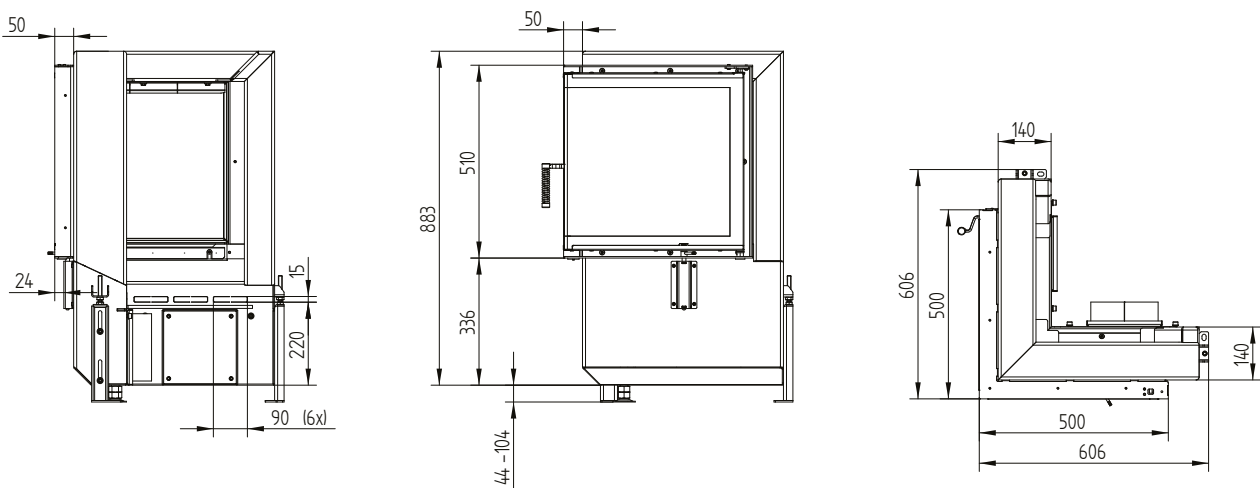
GT2 51/51/51R

Technical data
Version 09/2023

Technical data

General technical information	
Recommended wood load	10 kg
Cross section of combustion air opening	220 cm ²
Combustion air connection	1 × Ø 180 mm
Free glass area	3 556 cm ²

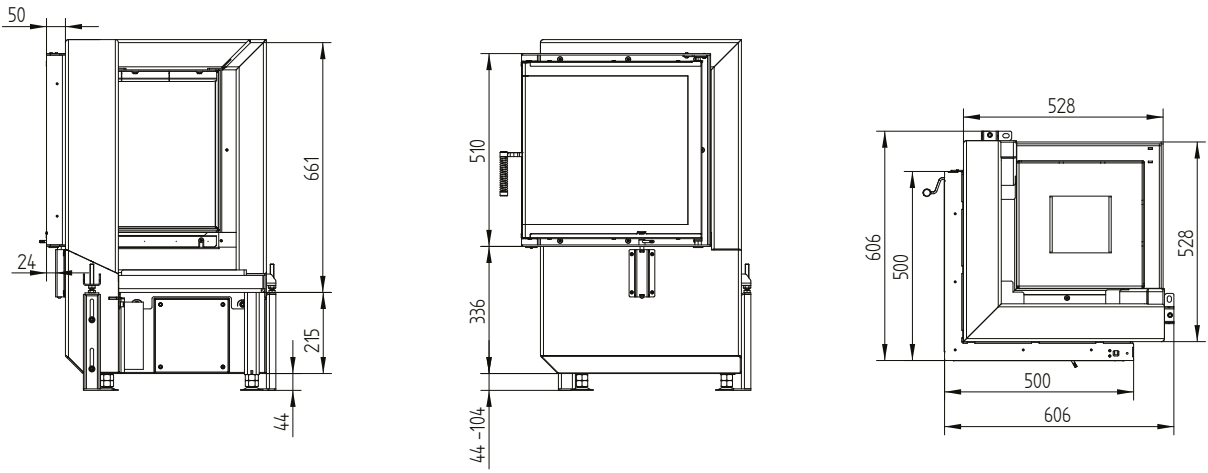
GT2 51/51/51R right



GT2 51/51/51R

Technical data
Version 09/2023

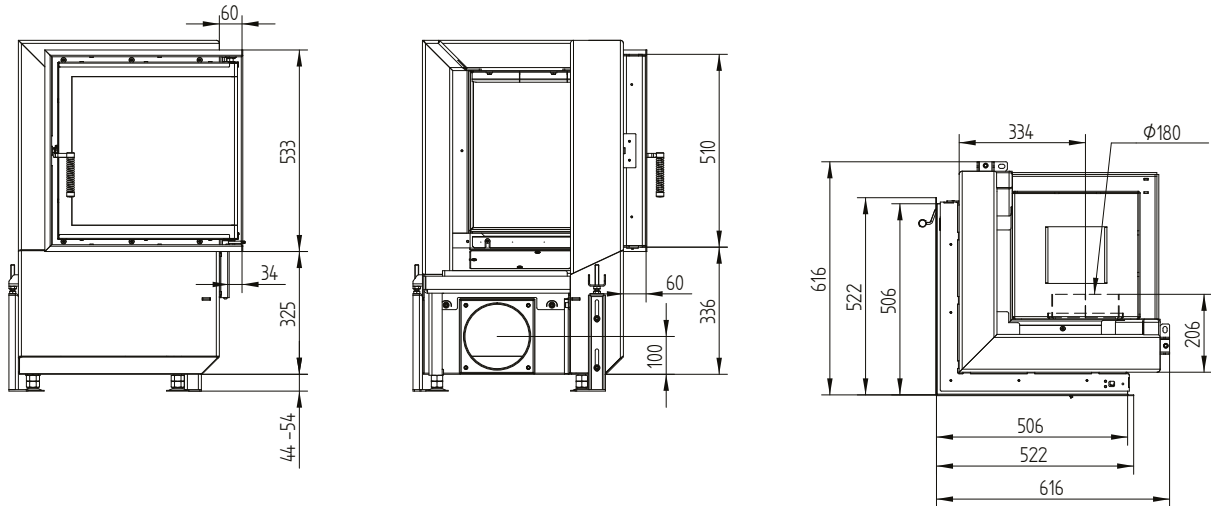
GT2 51/51/51R right base frame with air distribution



GT2 51/51/51R

Technical data
Version 09/2023

Cover frame 51/51/51R right side opening 6sides 1 x 90° 60 mm / air inlet



Build-on frame 51/51/51R right side opening 6sides 80 mm / feet

