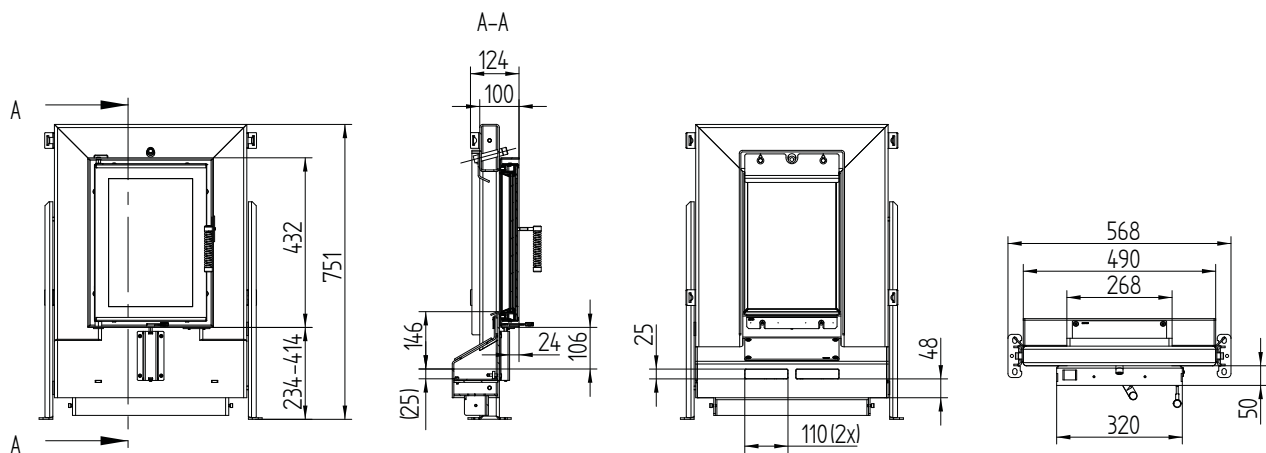


Technical data

General technical information	
Recommended wood load	7 kg
Cross section of combustion air opening	180 cm ²
Optional combustion air adapter	1 × Ø 150 mm
Pressure loss	-
Free glass area	782 cm ²

Quantity	Volume flow		Pressure loss
5 kg	47,0 m ³ /h	0,013 m ³ /s	2 Pa
6 kg	56,3 m ³ /h	0,016 m ³ /s	3 Pa
7 kg	65,7 m ³ /h	0,018 m ³ /s	4,1 Pa
8 kg	75,1 m ³ /h	0,021 m ³ /s	5,4 Pa
9 kg	84,5 m ³ /h	0,023 m ³ /s	7 Pa
10 kg	93,9 m ³ /h	0,026 m ³ /s	8,8 Pa
11 kg	103,3 m ³ /h	0,029 m ³ /s	10,7 Pa
12 kg	112,7 m ³ /h	0,031 m ³ /s	12,9 Pa

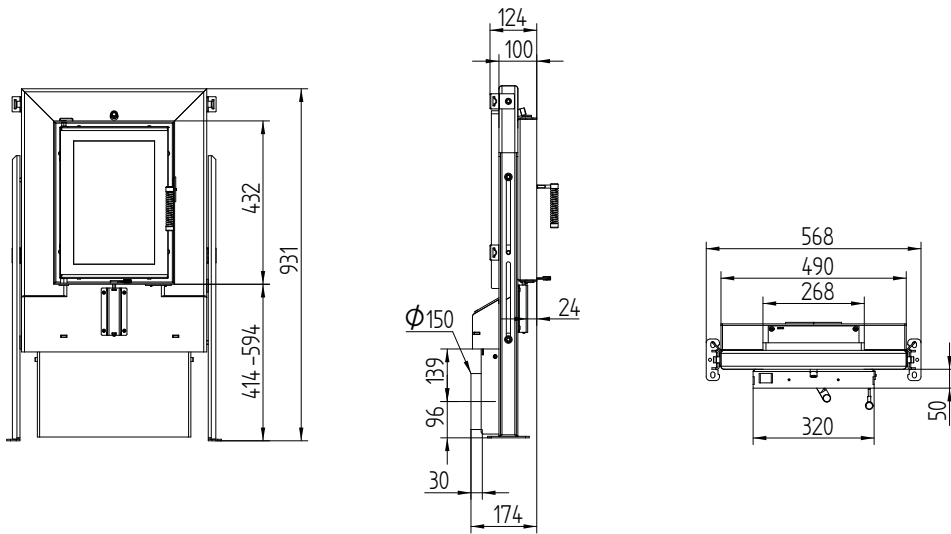
GT 32/44



GT 32/44

Technical data
Version 09/2023

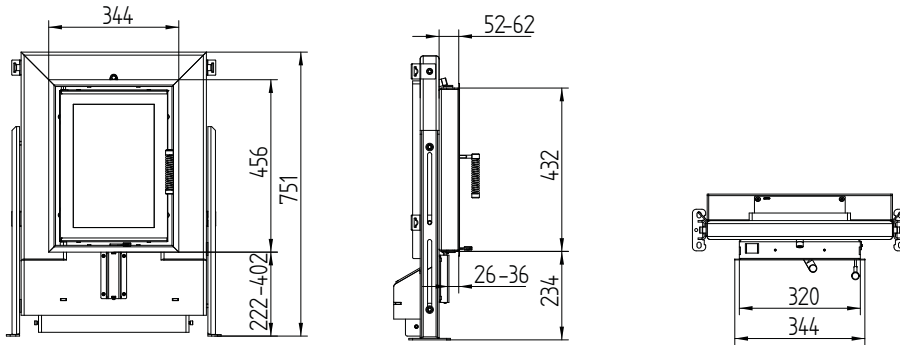
GT 32/44 with external air connection 1 x $\text{Ø} 150 \text{ mm}$



GT 32/44

Technical data
Version 09/2023

Cover frame 32/44 4sides 50 mm 1 x 90°



Cover frame 32/44 4sides 80 mm 2 x 45°

